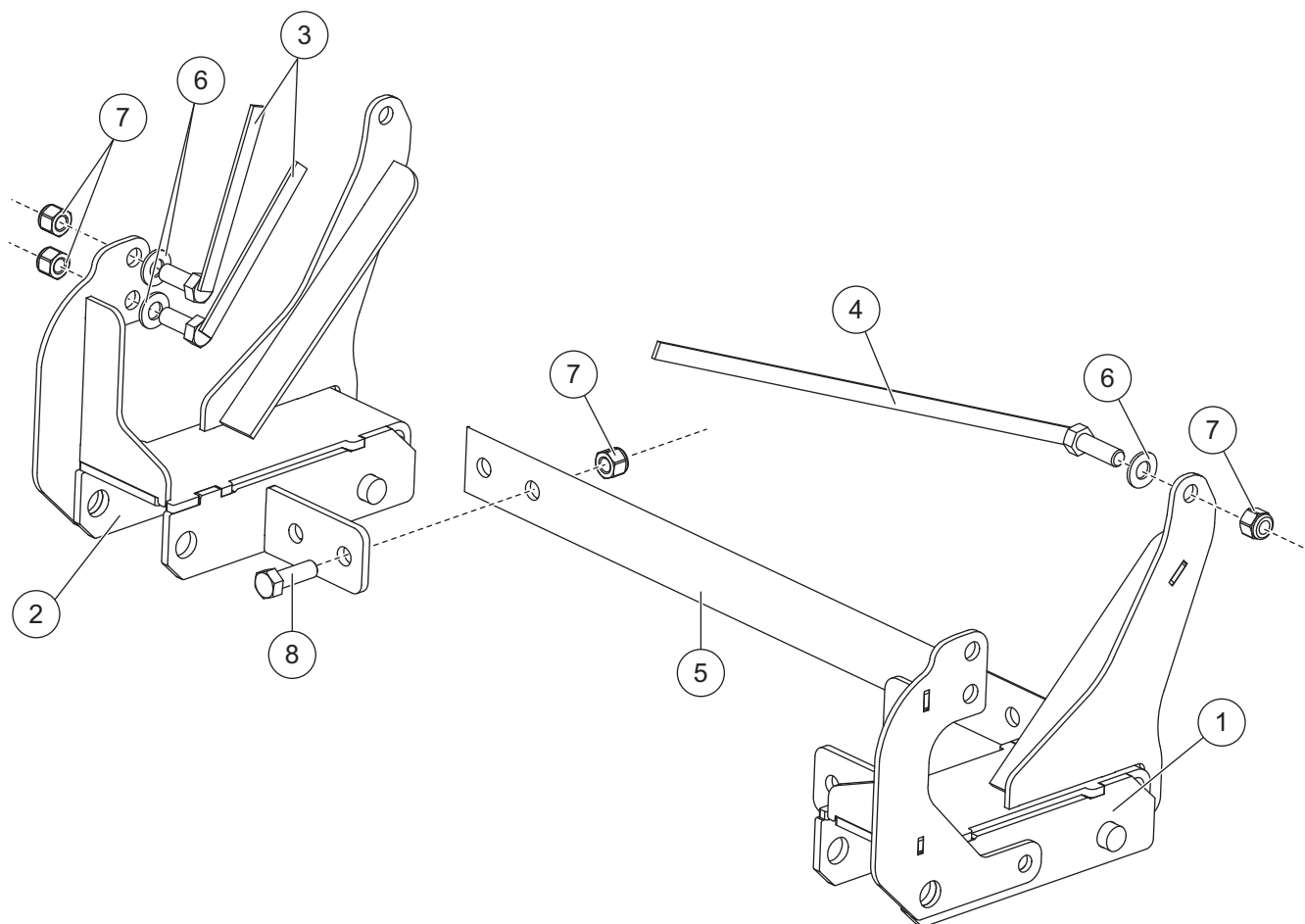




A DIVISION OF DOUGLAS DYNAMICS, L.L.C.

Western Products  
 PO Box 245038  
 Milwaukee, WI 53224-9538  
 www.westernplows.com

**33220**  
**MOUNT KIT**  
 Jeep Wrangler  
 2007 - \_\_



33220 Kit							
Item	Part	Qty	Description	Item	Part	Qty	Description
1	41534	1	Mount, DS	4	22314	2	1/2-13 x 1-1/2 Hex Cap Screw G5 with Handle (18")
2	41535	1	Mount, PS	5	67774	1	Bar, Cross
3	21316	4	1/2-13 x 1-1/4 Hex Cap Screw G5 with Handle (5-1/2")	ns	41539	1	Bolt Bag
41539 Bolt Bag							
6		6	1/2 Flat Washer, Hardened	8		4	1/2-13 x 1-1/4 Hex Cap Screw G5
7		10	1/2-13 Hex Locknut GB Topping				
ns = not shown				G = Grade			

# PARTS LIST – MODEL 33220

---

Copyright © 2010 Douglas Dynamics, L.L.C. All rights reserved. This material may not be reproduced or copied, in whole or in part, in any printed, mechanical, electronic, film or other distribution and storage media, without the written consent of Western Products. Authorization to photocopy items for internal or personal use by Western Products outlets or snowplow owner is granted.

Western Products reserves the right under its product improvement policy to change construction or design details and furnish equipment when so altered without reference to illustrations or specifications used. Western Products or the vehicle manufacturer may require or recommend optional equipment for snow removal. Do not exceed vehicle ratings with a snowplow. Western Products offers a limited warranty for all snowplows and accessories. See separately printed page for this important information. The following are registered (®) or unregistered (™) trademarks of Douglas Dynamics, L.L.C.: UltraMount®, WESTERN®.

**Printed in U.S.A.**

---