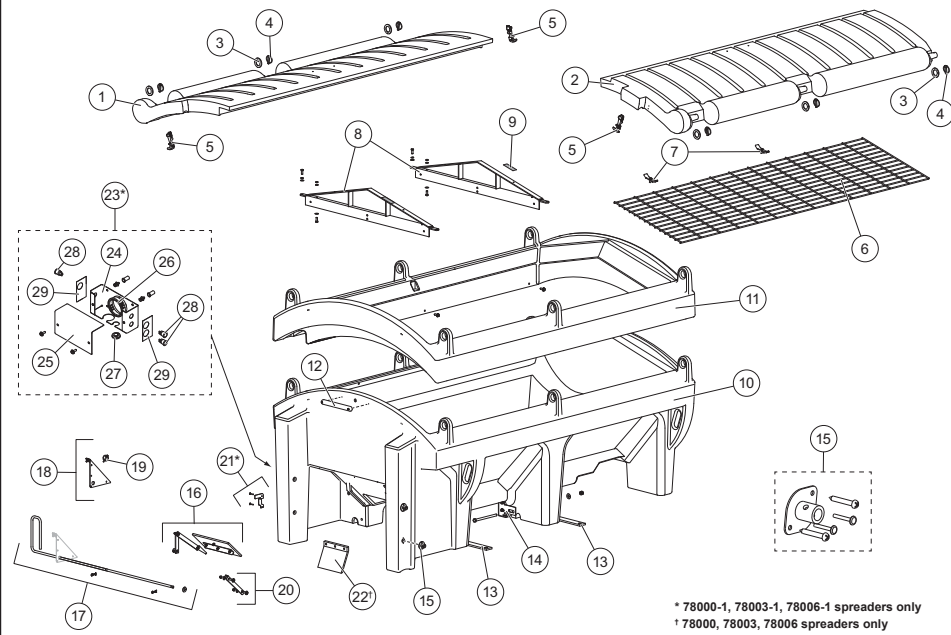


# HOPPER, LID & TOP SCREEN

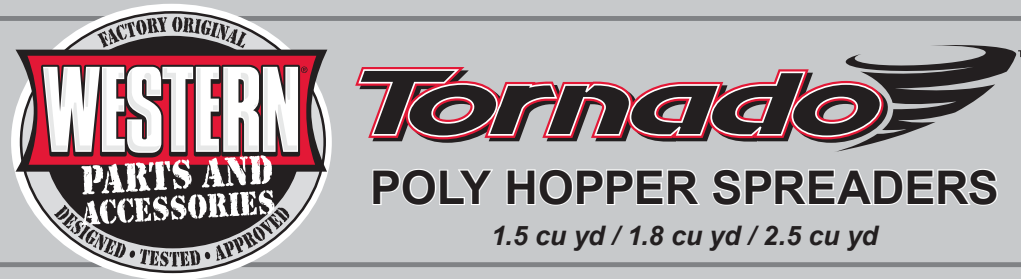


Item	Part	Description	Item	Part	Description
1	78018	Poly Hopper Lid DS - 7'	12	78048-1	CHMSL Kit
	78019	Poly Hopper Lid DS - 8'	13	78109	Mounting Bar Kit
2	78020	Poly Hopper Lid PS - 7'	14	78119	Hopper Mounting Bracket PS
	78021	Poly Hopper Lid PS - 8'	ns	78133	Hopper Mounting Bracket DS
3	78097	Washer 2.5 OD x 1.53 ID SS	15	78262	Chute Attachment Sleeve Kit
4	93010	7/16 Linchpin	16	78118	Feed Gate Assembly Kit, Poly Hopper
5	65224	Strap, Rubber Hold-Down Assembly	17	78094	Feed Gate Handle Kit
6	78115	Top Screen - 7' Painted (1 of 2 shown)	18	78098	Feed Gate Detent Bracket Kit
	78116	Top Screen - 8' Painted (1 of 2 shown)	19	93042	3/16 Linchpin
7	96038	Wing Bolt	20	78083	Feed Gate Guide w/Fasteners
8	78117-1	Top Screen Brace w/Label	21	99748*	Chute Connector Clip Kit
9	67272	Label - Caution, Do Not Lift	22	78177*	Sprocket Shield Kit
10	78009	Poly Hopper Body - 7'	23*	-	Switch Box Enclosure (on DS of hopper)
	78012	Poly Hopper Body - 8'	ns	99775*	Cable Boot 8-Pin
11	78226	Poly Hopper Collar - 8' (2.5 cu yd capacity spreader)	ns	61246*	Cable Boot
ns	78242	Poly Hopper Collar Hardware Kit			

**Switch Box Enclosure Components\***

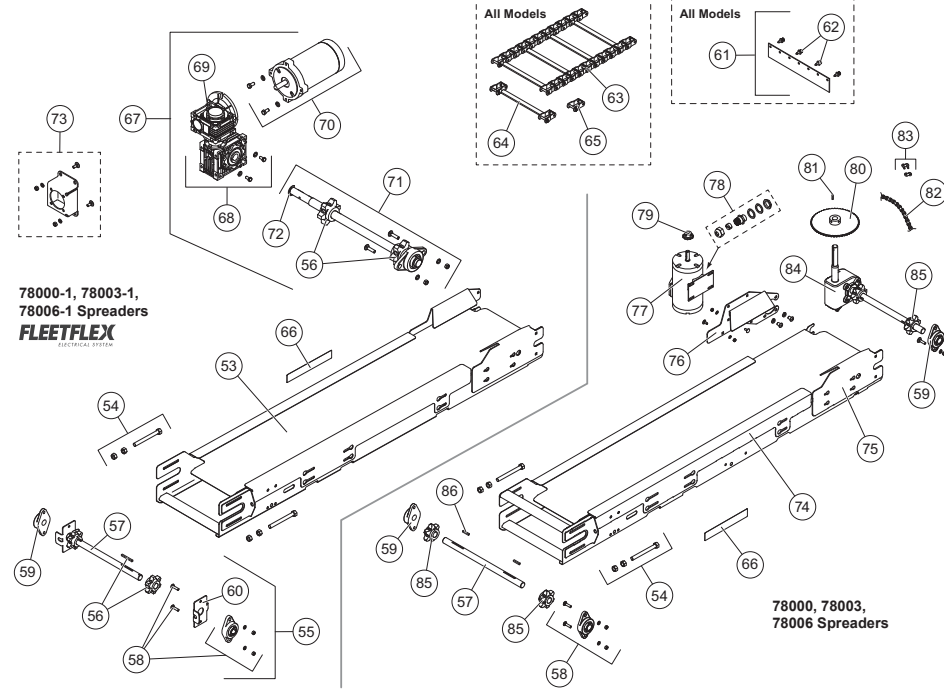
24	99746	External Enclosure, Body	27	99195	Break-Through Plug
25	99747	External Enclosure, Cover	28	99254	Push-Button Switch
26	78434	Snap-In Grommet	29	95077	Dump Switch Label Kit (both sides)

\* Used only on 78000-1, 78003-1, and 78006-1 spreaders with FLEET FLEX Electrical System.  
 † Used only on 78000, 78003, and 78006 spreaders.  
 ns = not shown      SS = Stainless Steel



Full parts lists (Lit. Nos. 94205 & 99755) available at [www.westernplows.com](http://www.westernplows.com).

# SILL & DRIVE COMPONENTS



**78000-1, 78003-1, 78006-1 Spreaders**

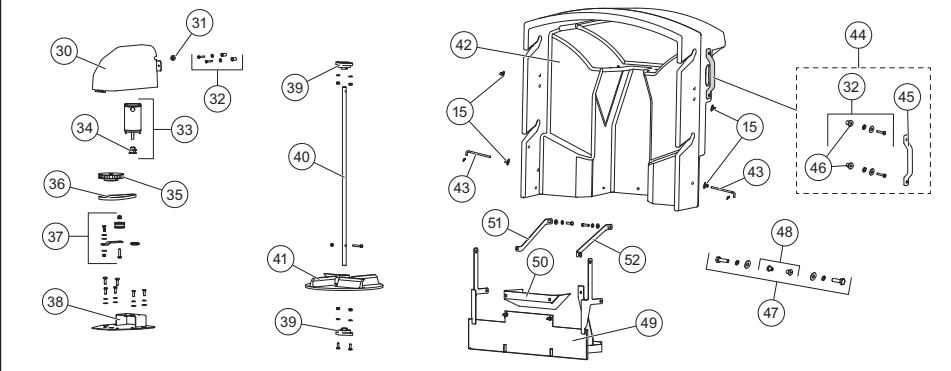
Item	Part	Description
30	99752	Sill 7' (78000-1, 78001-1, 78006-1 spreaders)
	99753	Sill 8' (78000-1, 78001-1, 78006-1 spreaders)
31	99073	Tension Bolt Kit
32	99480	Idler Shaft Assy, Kit
33	99479	6-Tooth Sprocket Assembly
34	94351	Idler Shaft
35	94953	Spreader Bearing Kit
36	94536	Bearing 1-1/8 ID 2-Bolt Flange
37	99532	Bearing Alignment Plate
38	78266	Chain Wiper Kit
39	99079	Rivet Kit
40	78076	Pintle Chain 7' (99 link, 164.7")
	94898	Pintle Chain 8' (108 link, 179.7")
41	68492	Conveyor Repair Bar w/Pins and Cotters
42	68475	Conveyor Repair Link w/Pins and Cotters
43	68584	Label - Warning/Caution, Spreaders
44	99091	Electric Conveyor Drive Kit
45	99087	Gear Box Kit
46	99067	Gear Box 10 x 20 x 2X Worm Gear
47	ns	86792 Gear Box Cover Kit, Primary

**78000, 78003, 78006 Spreaders**

Item	Part	Description
48	ns	86799 Gear Box Cover Kit, Secondary
49	99749	Gear Box Mounting Plate Kit
50	99085	Motor Kit, Conveyor
51	99094	Drive Shaft Kit
52	330	1" Retaining Ring
53	78192	Sill 7' (78000, 78001, 78006 spreaders)
	78193	Sill 8' (78000, 78001, 78006 spreaders)
54	78131	Chain Guard (DS Rear)
55	78132	Chain Guard (PS Rear)
56	95755-2	Motor 12V DC 1/2 hp (w/Seal Kit)
57	78201	Seal Kit
58	95777	Sprocket, #40 x 11T x 5/8 ID
59	78057	Sprocket, #40 x 55T x 1 ID
60	65174	Machine Key 1/4 sq x 1-1/2
61	78075	#40 Chain with Master Link
62	95894	#40 Chain Master Link
63	95567	Gear Case 20:1
64	65909	Drive Sprocket 6T
65	65174	Machine Key 1/4 sq x 1-1/2

ns = not shown

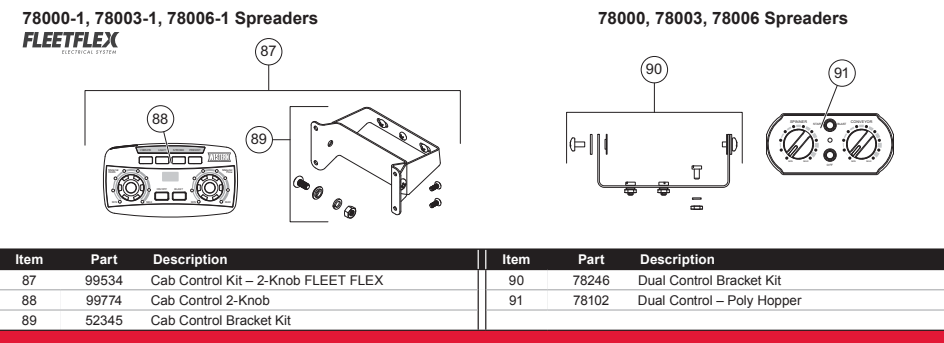
# CHUTE & SPINNER ASSEMBLIES



Item	Part	Description	Item	Part	Description
-	99780	Full Chute Assembly - 78000-1, 78003-1, 78006-1 Spreaders with FLEET FLEX Electrical System	40	78283	Spinner Shaft
-	78229-1	Full Chute Assembly - 78000, 78003, 78006 Spreaders	41	94424	Spinner 15-1/2" Poly
30	78287	Chute Motor Cover	42	78022	Chute Cover
31	66130	Grommet	43	78031	Chute Attachment Pin Bag (2 pins)
32	78270	1/4 Well Nut Fastener Kit	44	78247	Chute Handle Kit
33	78300	Motor 12V DC 1/3 hp w/Pulley	45	48921	Counter-Bored Handle, Plastic
34	93101	10-Tooth Cogged Belt Pulley	46	78269	1/4 Well Nut (pkg of 2)
35	78066	40-Tooth Cogged Belt Pulley 3/4 Bore	47	78268	3/8 Well Nut Fastener Kit
36	78285	Gear Belt	48	78267	3/8 Well Nut (pkg of 2)
37	78298	Idler Kit	49	78130	Spinner Guard
38	78297	Chute Motor Base Plate	50	78294	Deflector
39	96167	Pillow Block Bearing 3/4 Bore	51	78302	Brace, PS
			52	78301	Brace, DS

ns = not shown

# CAB CONTROLS



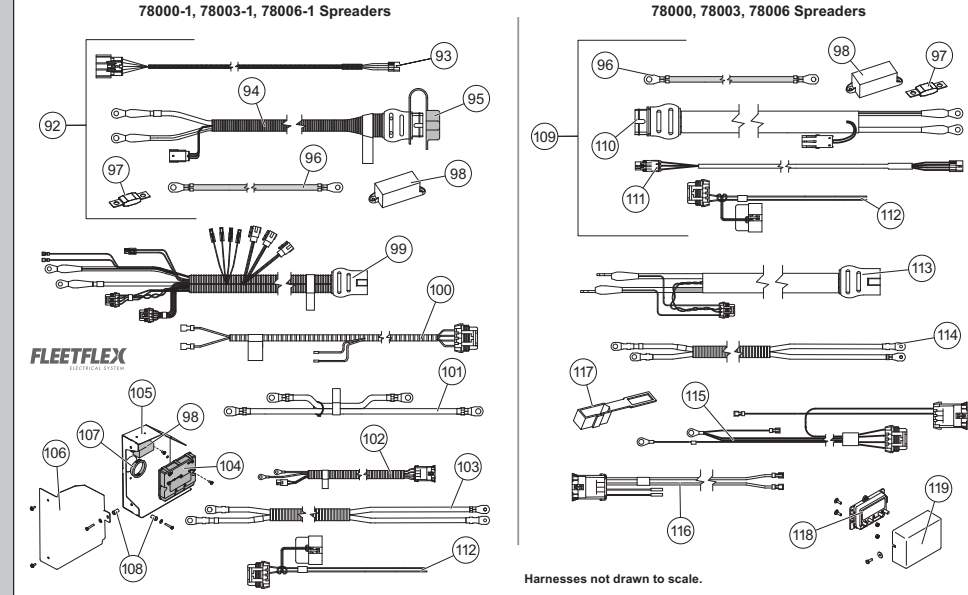
**78000-1, 78003-1, 78006-1 Spreaders**

Item	Part	Description
87	99534	Cab Control Kit - 2-Knob FLEET FLEX
88	99774	Cab Control 2-Knob
89	52345	Cab Control Bracket Kit

**78000, 78003, 78006 Spreaders**

Item	Part	Description
90	78246	Dual Control Bracket Kit
91	78102	Dual Control - Poly Hopper

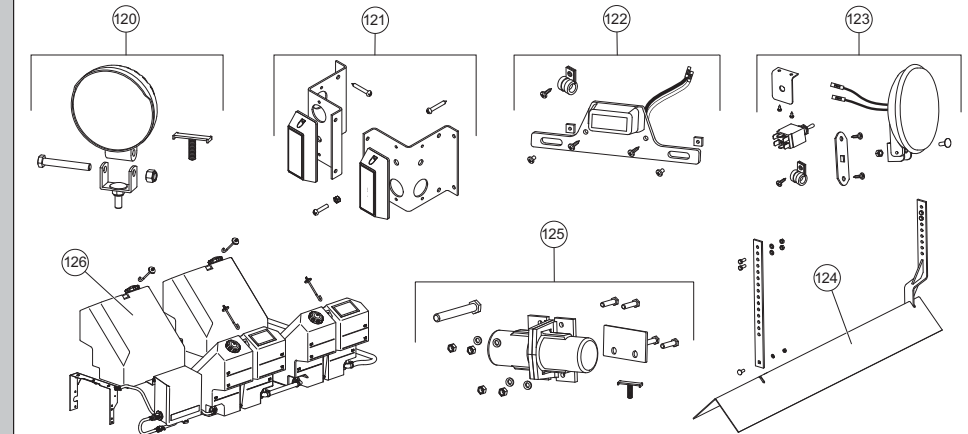
# ELECTRICAL COMPONENTS



Item	Part	Description	Item	Part	Description
92	78402	Vehicle-Side Harness Kit (78000-1, 78003-1, 78006-1)	106	99745	Electrical Enclosure Cover
93	69902	Vehicle Control Harness	107	78434	Snap-In Grommet
94	76057	Vehicle Cable Assembly w/Plug Cover	108	78263	Well Nut
95	99759	Plug Cover	109	78204	Vehicle-Side Harness Kit (78000, 78003, 78006)
96	22511K	22" Battery Cable - Red	110	29217	Vehicle Power Cable
97	95836	Fuse 100 Amp	111	29221	Vehicle-Side Control Harness
98	95837	Isolated Stud Block/Fuse Holder	112	78199	CHMSL/License Plate Light Harness, Vehicle Side
99	78417	Hopper Harness Assembly	113	48808	Spreader Power Cable
100	78412	Cable Assembly - Spinner Motor, Chute	114	78103	Wiring - Module to Motor, 43"
101	78394	Cable Assembly - Module to Isolated Stud Block	115	78104	Wiring - Module to Spinner Connector
102	78415	Cable Assembly - Spinner Motor, Hopper	116	78105	Wiring - Spinner Connector to Spinner Motor
103	78418	Harness Assembly - Module to Conveyor Motor, 66"	117	61548K	Plug Cover Kit
104	52385	4-Post Spreader Module	118	78178-1	Control Module - Dual Motor
105	95073	Electrical Enclosure Body	119	78108	Module Cover

Harnesses not drawn to scale.

# ACCESSORIES



Item	Part	Description	Item	Part	Description
120	99505-1*	Primary Work Light Kit (incl. harness assemblies)	124	78150	Inverted V Kit 7' Hopper
ns	99732-1*	Secondary Work Light Kit (incl. harness assembly)	ns	78120	Inverted V Kit 8' Hopper
121	99766*	Strobe Light Kit (incl. harness assembly)	125	99504-1*	Vibrator Kit - FLEET FLEX (incl. harness assemblies)
122	78197	License Plate Light Kit	ns	78195*	Vibrator Kit (incl. harness & ground wires)
123	78198*	Work Light Kit	ns	68790*	Ratchet Tie-Down Kit

**Pre-Wet Kits**

-	76400	Standard Pump Kit, On-Off System	-	76425	50-Gallon Tank Kit (2 x 25 gal)
-	76420	Deluxe Pump Kit, Full-Feature System	-	76405*	Pre-Wet Pump Switch Kit

\* For 78000-1, 78003-1, and 78006-1 spreaders with FLEET FLEX Electrical System.  
 † For 78000, 78003, and 78006 spreaders.  
 ns = not shown